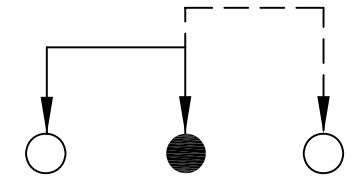
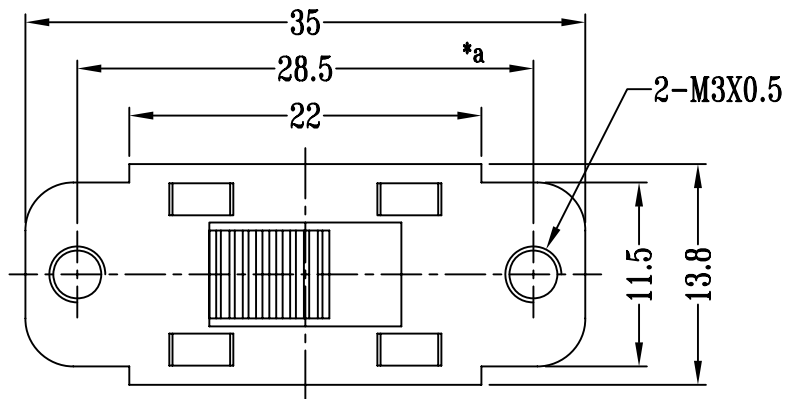
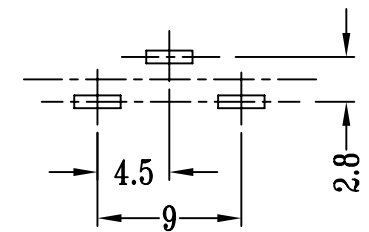
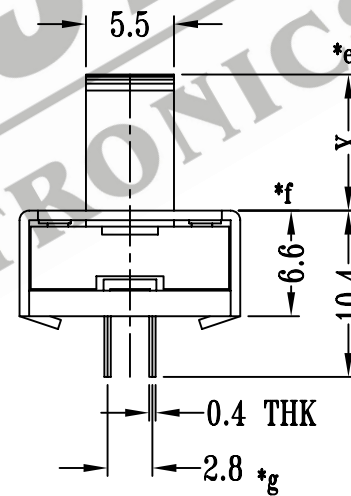
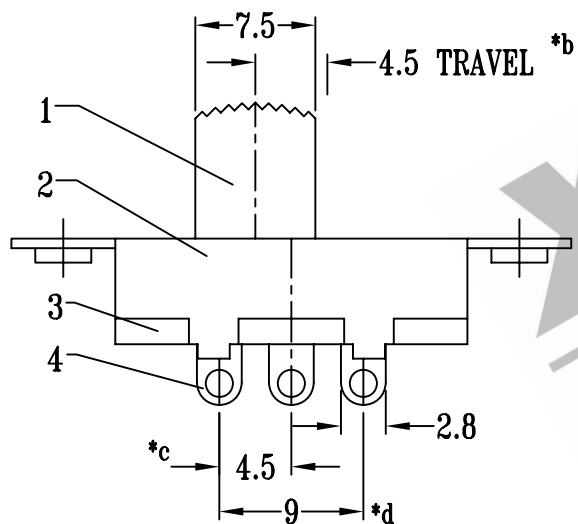


CAD FILE:



**SCHMATIC (NON-SHORTING)**



**P.C.B LAYOUT**

注:带"\*"表示关键尺寸(7个)

8					TOLERANCE UNLESS SPECIFIED	SHENZHEN XIEJIA ELECTRONICS CO.,LTD.				
7										
6	SPRING	STEEL WIRE	1	TEMPER	WITHIN: 1.5±0.1mm	ISSUE	DATE	DESCRIPTIONS		APPD.
5	CONTACT CLIP	BRASS STRIP	1	Ag PLATED	OVER : 1.5±0.2mm					
4	TERMINAL	BRASS STRIP	3	Ag PLATED OVER Ni PLATED	TITLE : VERTICAL SLIDE SWITCH		UNIT : MM	DRWG NO.: XJ-DR-SS12I06-00		
3	BASE	PHENOLIC RESIN	1	BLACK	MODEL: SS-12I06		SCALE: 2:1	DWN.	ZHOUYU	2003-6-12
2	FRAME	STEEL STRIP	1	BLACK	ALL MATERIALS MUST BE COMPLIANT TO ROHS			CHK'D	FANGYING	2003-6-12
1	KNOB	PC	1	BLACK				APPD.	KANGXINAN	2003-6-12
NO.	PART NAME	MATERIAL	Q'TY	FINISHING						